



The MINITINY model has been conceived in order to control different processes via radio. Its advanced technology and versatility allows it to carry out from the remote control of pumps, to sending alarm signals, or the control of industrial processes or any application that requires the transmission of digital signals at short distance via radio.

The MINITINY model is composed by a transmitter that can send up to 7 digital signals and by a receiver that has 6 or 9 relays (depending on model) and another 2 for emergency stop. This model is available in two possible formats:

- CTN model: It is supplied in a small compact Itowa cabinet with internal connector and cable gland outlet, watertight and highly resistant to weather and impacts.
- CPH model: It is supplied in a non watertight box, DIN rail mountable with external terminal strips to connect the signals.

The MINITINY is compatible with the whole range of ITOWA remote controls.

### TECHNICAL SPECIFICATIONS

Frequency bands	433-434 MHz 868-870 MHz
Operating Temperature	-20°C to +70°C
Power requirements	220Vac/115Vac/48Vac/24Vdc/12Vdc

	<u>Model CTN</u>	<u>Model CPH</u>
Wiring	By Itowa connector of 26 pins	By accessible terminal block
Dimensions	190 x 83 x 165 mm	125 x 100 x 125 mm
Weight	With fastening 800 gr	475 gr
Fastening	By nut bolts, DIN rail or magnetic (op)	DIN rail
Protection rating	IP65	IP50

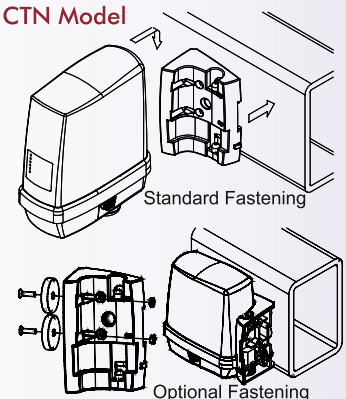
#### TRANSMITTER

Power	10mW P.R.A.
Signals	Up to 7 digital optocoupling inputs

#### RECEIVER

Orders	6 or 9 operations (depending on model) and 2 relays Emergency stop
Safe level	Category n° 4 – SIL3/PL e according to EN ISO 13849

#### CTN Model



#### CPH Model

